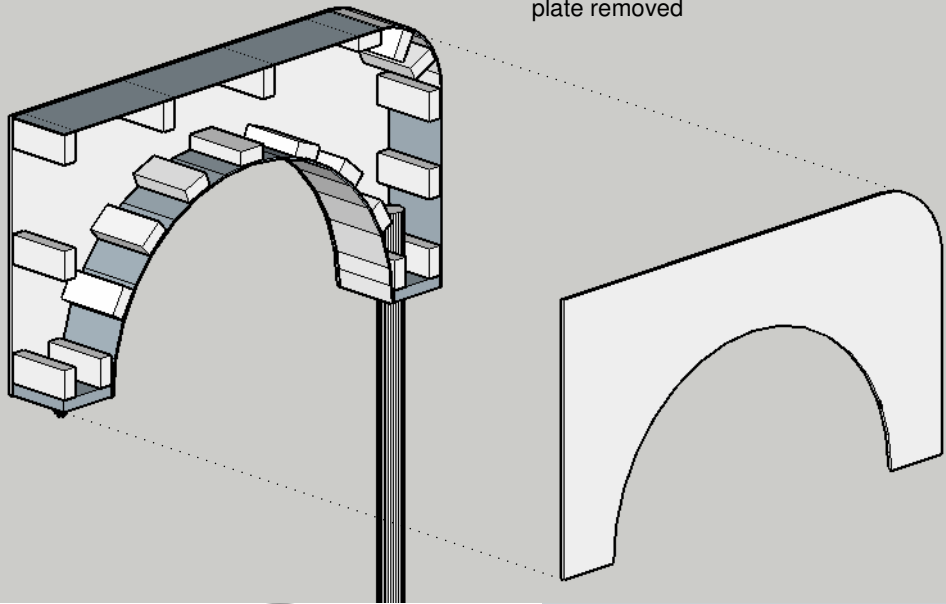
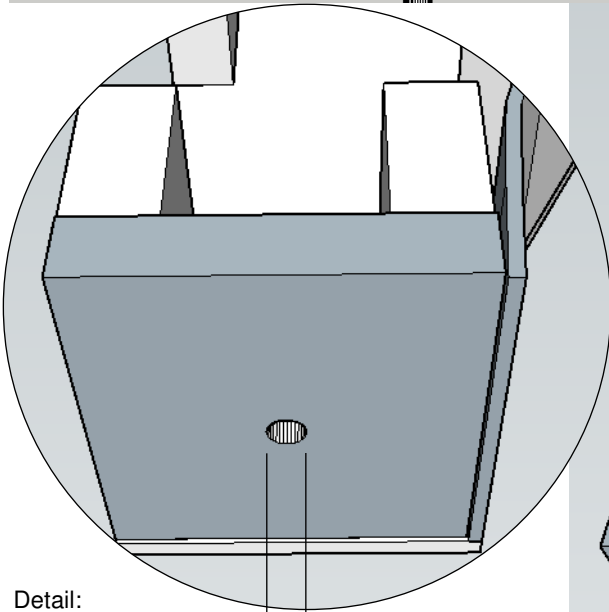
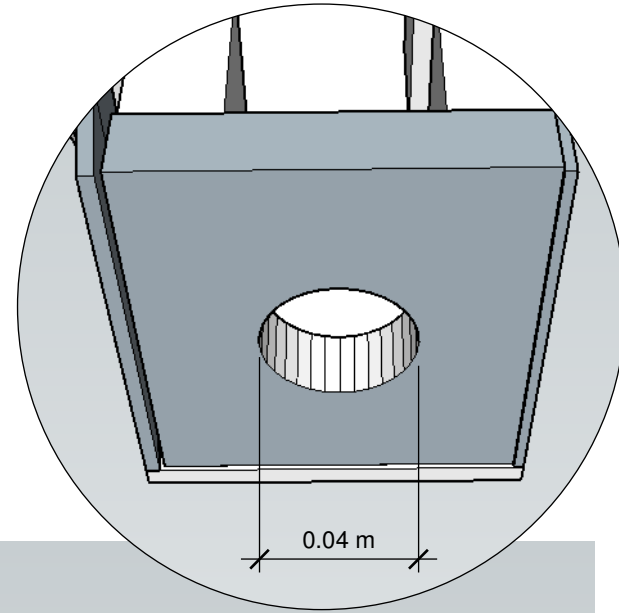


Back view of archway top with back plate removed

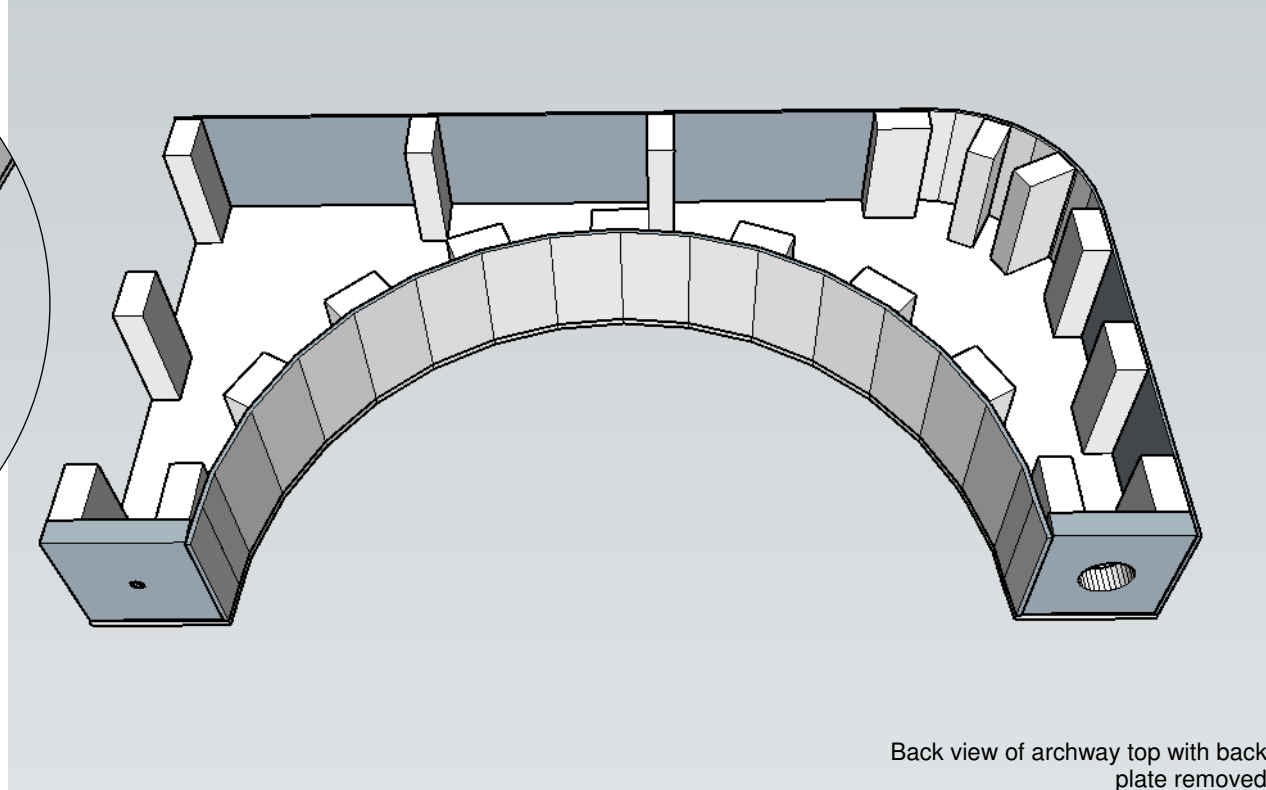


Detail:
Hole at offstage
end of arch for
anchored
scaffold pole to
connect to top
of free-standing
pillar.



Detail:
Hole at onstage
end of arch for
m10 bolt to
connect to top
of pillar hinged
to set.

0.01 m



Back view of archway top with back plate removed

CLIENT
Reach Inclusive Arts,
Wyvern Theatre, Swindon

PROJECT NO.
0110.19
PROJECT
80DTTEOTW

DRAWN BY
Jacob Corn
DESCRIPTION
Archway - Top
Connection Detail

